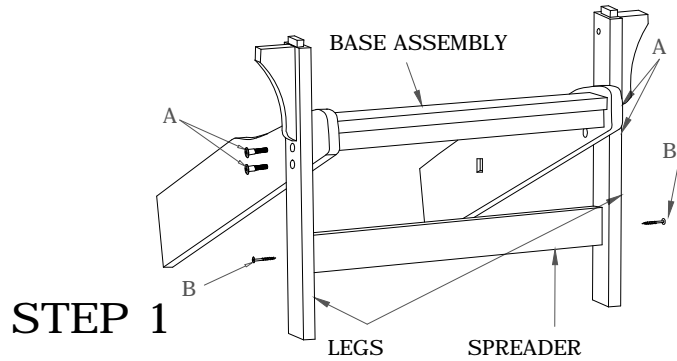


BB -300 ADIRONDACK

BB-300

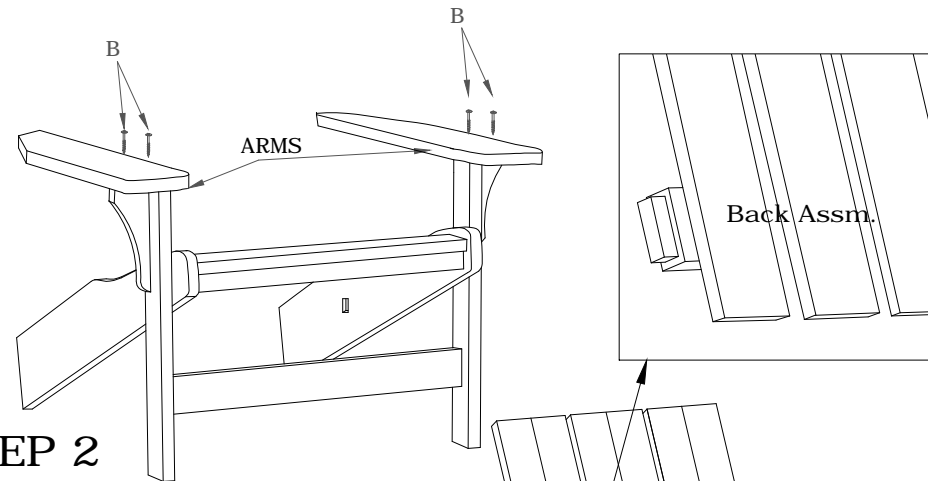
BREEZESTA™

Recycled Poly Furniture



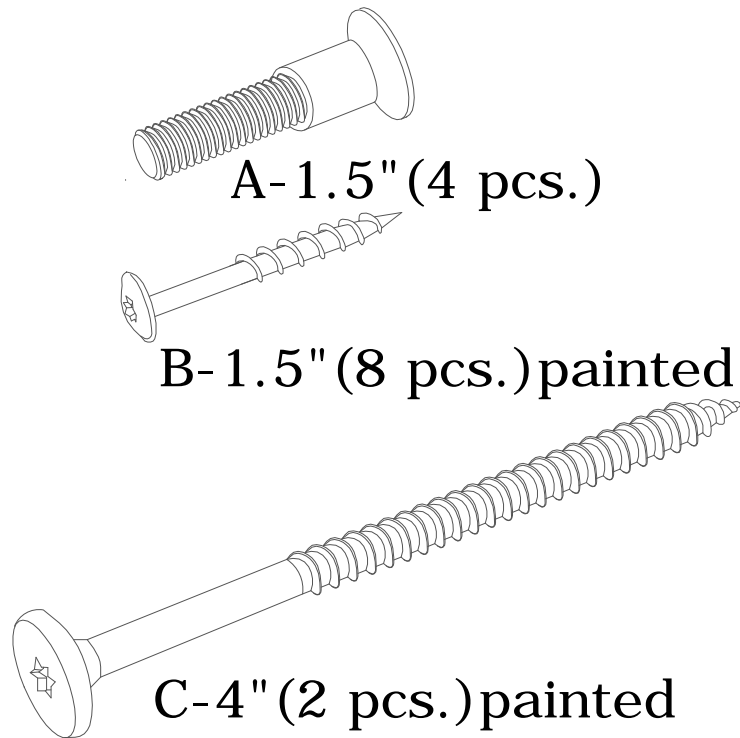
STEP 1

Attach spreader to legs with screws (B) as shown. Bolt legs to base assembly using bolts (A).



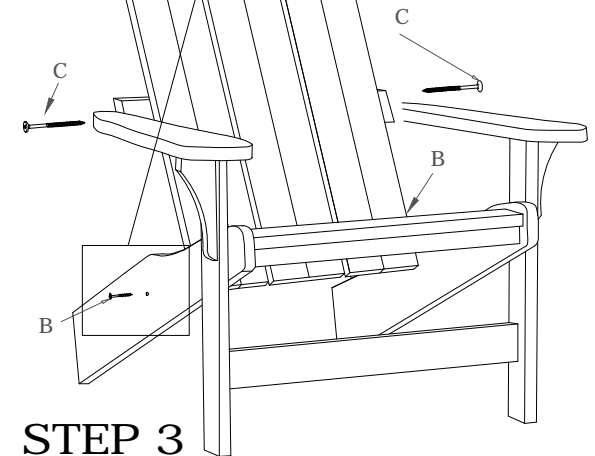
STEP 2

Fit arms on top of legs and attached with screws (B) through top as shown.



LIST OF PARTS

- Back Assembly (1)
- Base Assembly (1)
- Legs (2)
- Spreader (1)
- Arms (1R) (1L)
- Chair Bolts "A" (4)
- Colored Screws "B" (8)
- Colored Screws "C" (2)
- Insert Bit Tool (1)



STEP 3

Fit Back Assembly into mortise pockets on insides of Base Assembly. Secure with screws (B) as shown. Attach Arms to seat back using Large Head Screws (C).