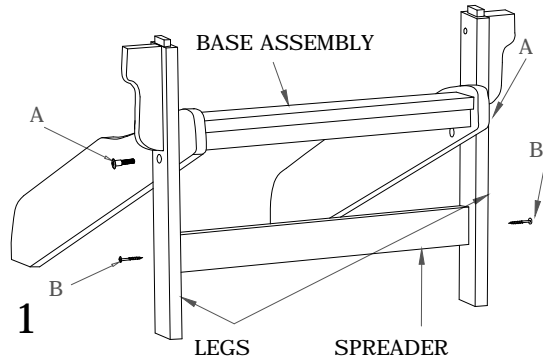


COASTAL ADIRONDACK ROCKER

AD-0112

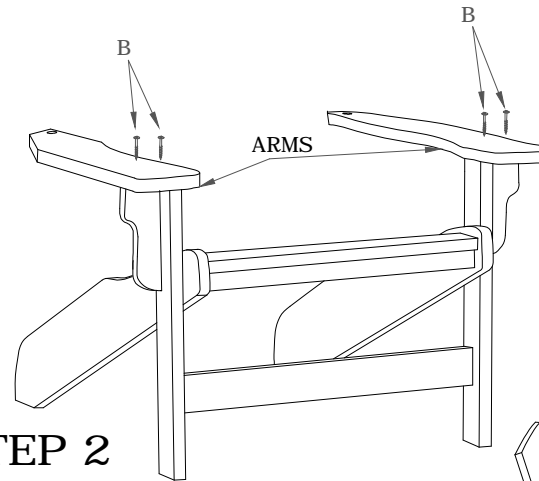
BREEZESTA tm
Recycled Poly Furniture

STEP 1



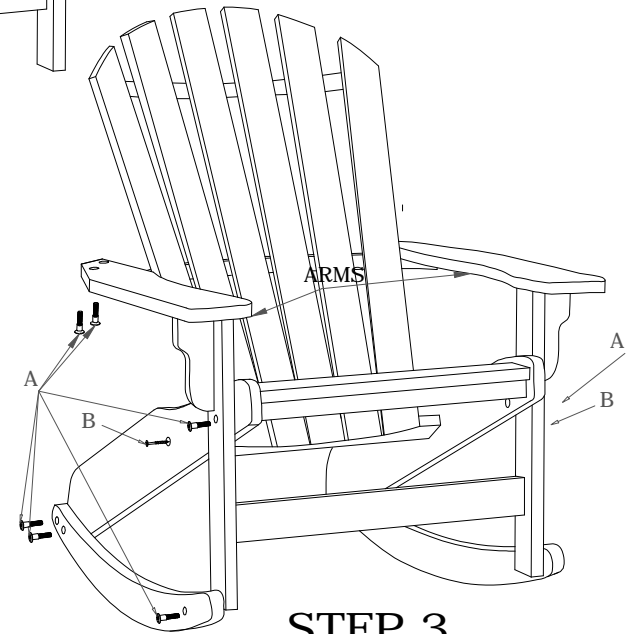
Attach Spreader to legs with screws (B) as shown. Bolt legs to base assembly using bolts (A).

STEP 2

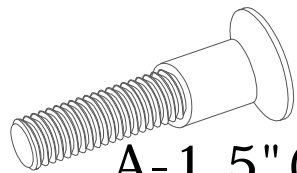


Fit arms on top of legs and attached with screws (B) through top as shown.

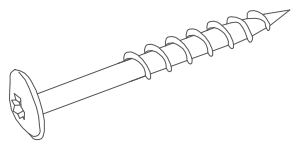
STEP 3



Bolt back assembly to base assembly using 2 bolts (A) on each side and 1 screw (B) as shown. Attach arm to seat back using Chair Bolts(A). Bolt Rocker legs to legs using bolt (A) as shown.



A- 1.5" (12 pcs.)



B- 1.5" (8 pcs.) painted

- LIST OF PARTS
Back Assembly (1)
Base Assembly (1)
Legs (2)
Spreader (1)
Arms (1R) (1L)
Rocker Legs (2)
Chair Bolts "A" (12)
Colored Screws "B" (8)
Insert Bit Tool (1)